

Chassis

Strengthened channel frame fitted with hydraulically operated jacking legs and mounted on twin sprung, 10 stud braking axles including mudguards.

Hopper

6 cu.m (8 cu.yd) heavy duty rubber lined with bolt on hinged shroud. Drop down support legs are supplied for on site operation.

Feed Conveyor

750mm (30") wide feed belt with full length skirting and is driven hydraulically through a high torque reduction gear.

Crusher Unit

The RK 623 crusher unit is fitted with three hammers, 600mm (23.675") wide. It has a feed opening of 600 x 350mm (24" x 14") and a rotor diameter of 1068mm (42"). There is a final bar carrier which can be adjusted hydraulically from 4 to 60mm (3/16" to 2 3/8") depending on material feed size and reduction required. It is driven through 6 V-Belts and the chamber can be easily accessed by hydraulic control lever. There is a deadbox fitted under the crusher to allow easy flow of material onto the product conveyor.

Product Conveyor

650mm (26") wide heavy duty belt complete with feed boot and impact bars under the deadbox. The conveyor is hydraulic folding for ease of set-up.

Drive System

The diesel engine is a Caterpillar C9 Tier III power pack fitted with a three plate PTO to drive the crusher. A tandem hydraulic pump is fitted to the engine auxillary to drive the feed and discharge conveyor as well as the machines hydraulic ram functions.

Hydraulic Tank Capacity

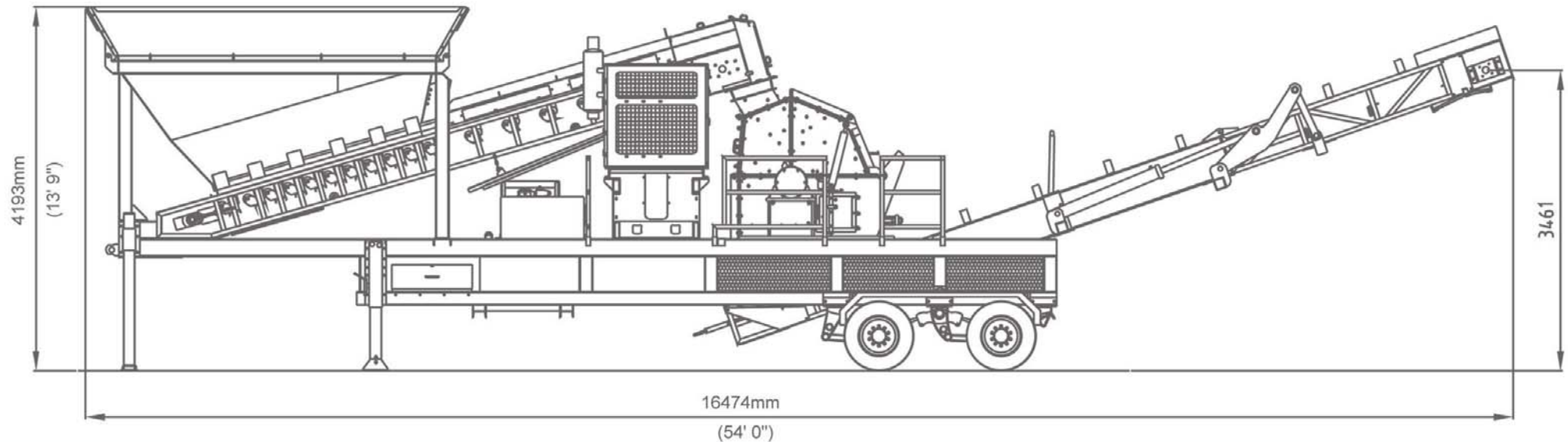
485 litres (106 gallons – 128 US gallons)

Diesel Tank Capacity

800 litres (176 gallons – 211 US gallons)

Options

- Hydraulic clutch
- Dust suppression spray bars
- Autolube
- Metal Detector & Picking Platform
- Belt Scales
- Reject Grid
- Scalping Screenbox
- Electric drive
- other options available on request



Working Details

LENGTH: 16474mm (54' 0")

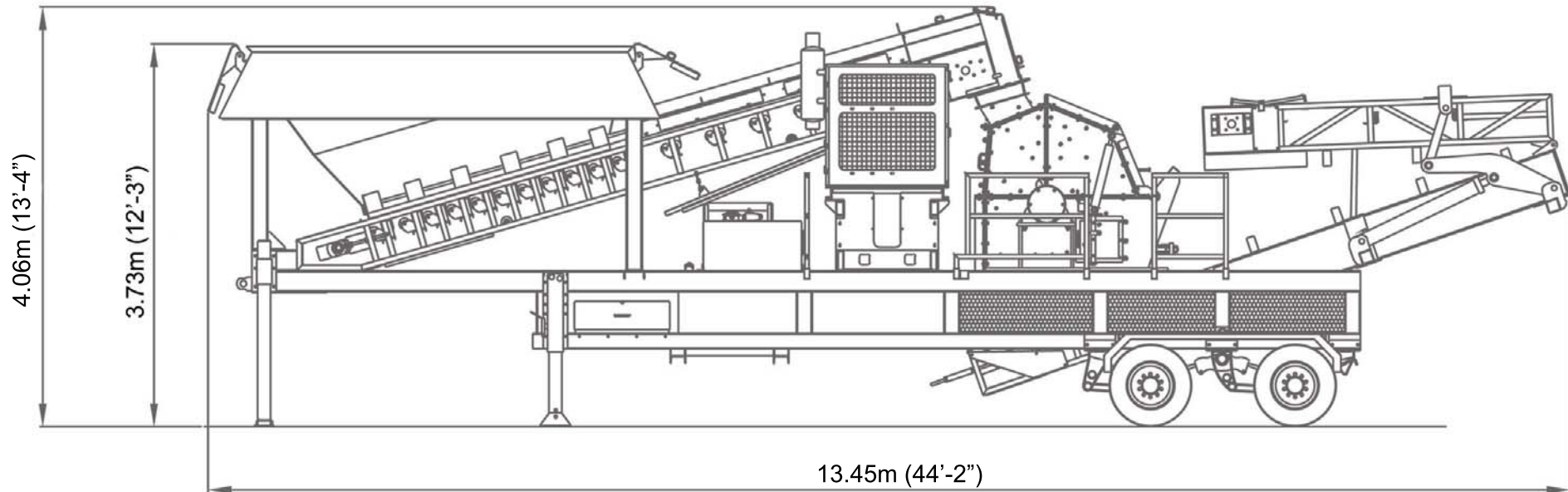
HEIGHT: 4193mm (13' 9")

WIDTH: 2912mm (9' 6")

WEIGHT: 19,500kg (43,000 lbs)

Tesab Engineering Ltd
Omagh
County Tyrone
Northern Ireland

Tel: (0044) 028 82252781
Fax: (0044) 028 82252801
email: sales@tesab.com



Transport Details

LENGTH:	13450mm (44' 2")
HEIGHT:	4060mm (13' 4")
WIDTH:	2800mm (9' 2")
WEIGHT:	19,500kg (43,000 lbs)

Tesab Engineering Ltd
Omagh
County Tyrone
Northern Ireland

Tel: (0044) 028 82252781
Fax: (0044) 028 82252801
email: sales@tesab.com